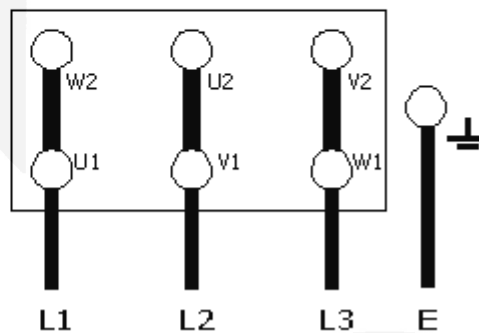
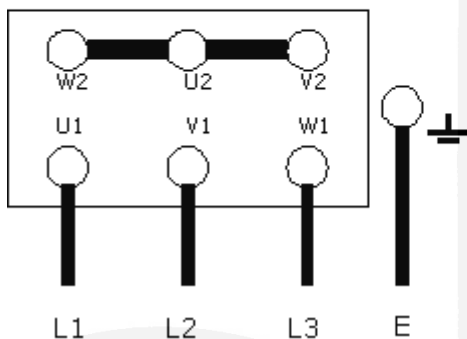


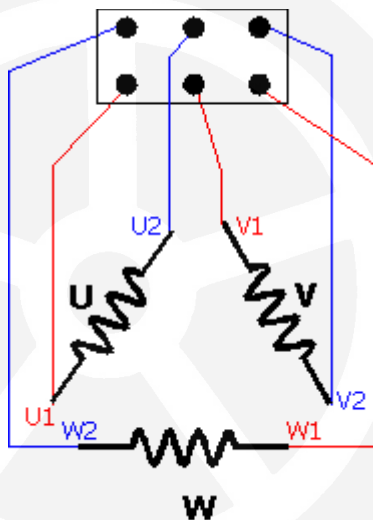
MOTOREN DESMEDT NV

Moerelei 145, B-2610 Antwerpen, Belgium
+32(0)3830.09.90 +32(0)3828.78.90
www.motorendesmedt.be info@motorendesmedt.be

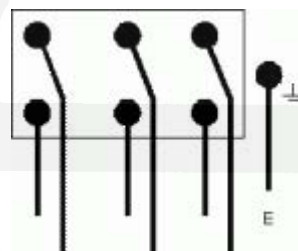
STAR and DELTA connection of Three-phase Squirrel-cage Electric Motors



To change direction of rotation swap any two Life (L1, L2, L3) inlet leads.



Connection when a **STAR-DELTA STARTER** is used. For connection of the six leads please follow instructions supplied with your STARTER.



IMPORTANT ! Always check the motor nameplate for correct STAR (Y) and DELTA (D) voltage. Ask if in doubt !
Incorrect wiring will damage the motor and invalidate the Warranty!